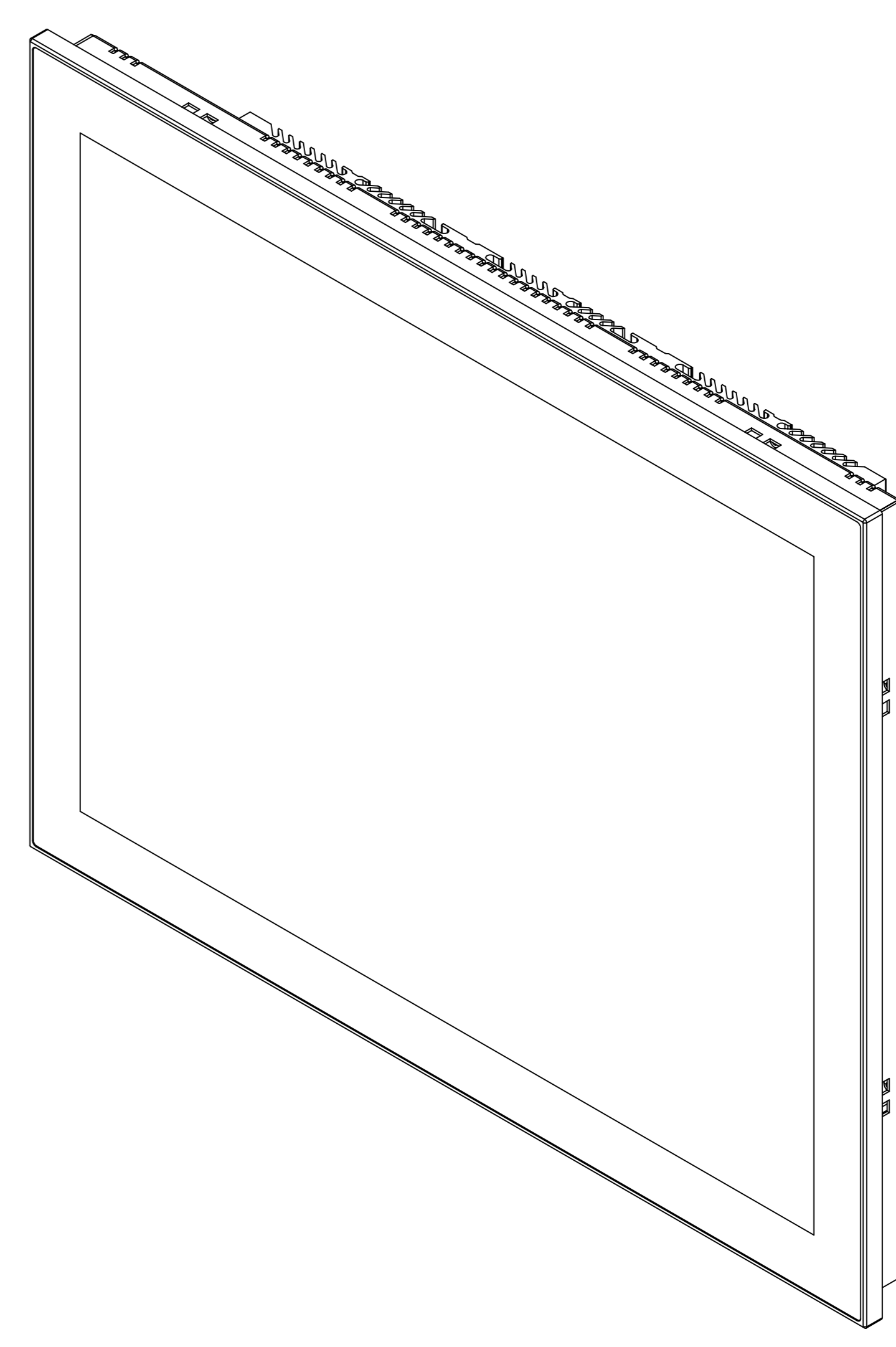
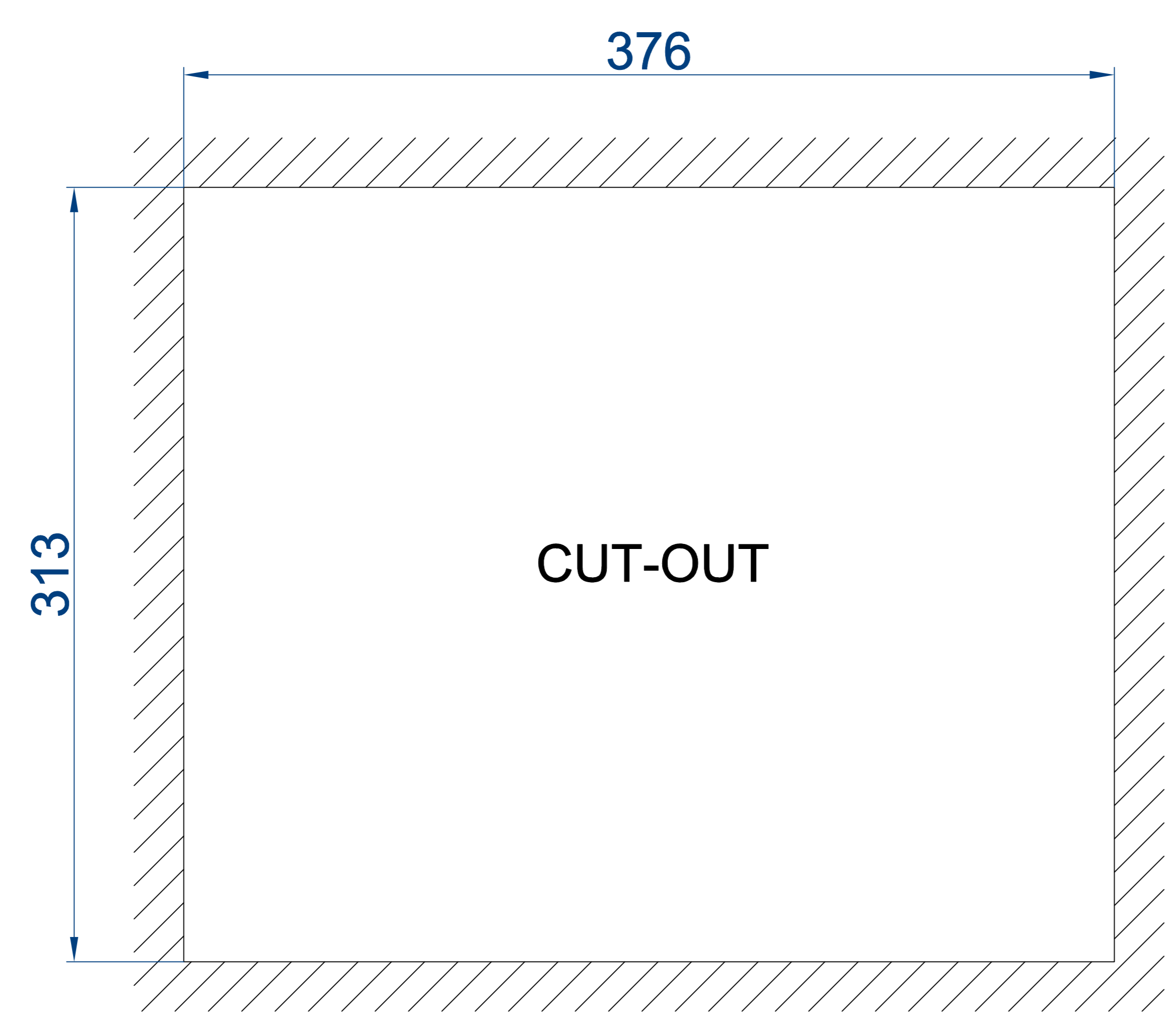
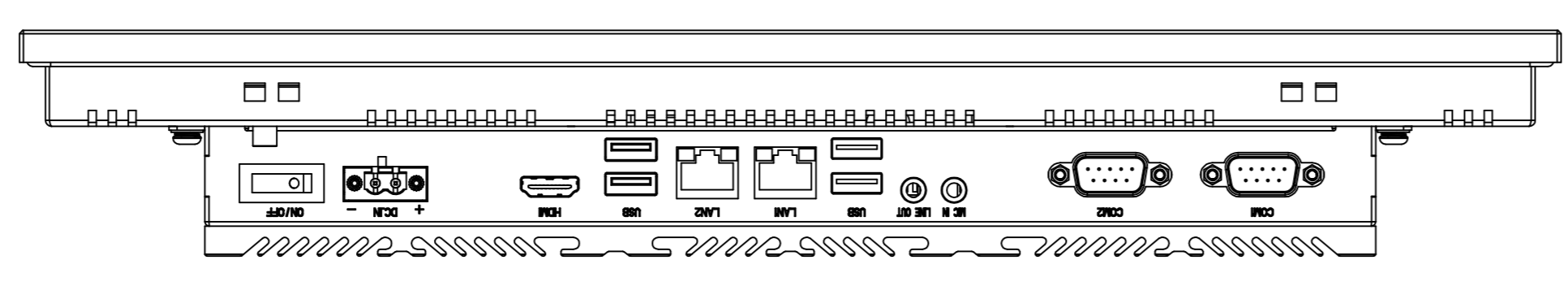
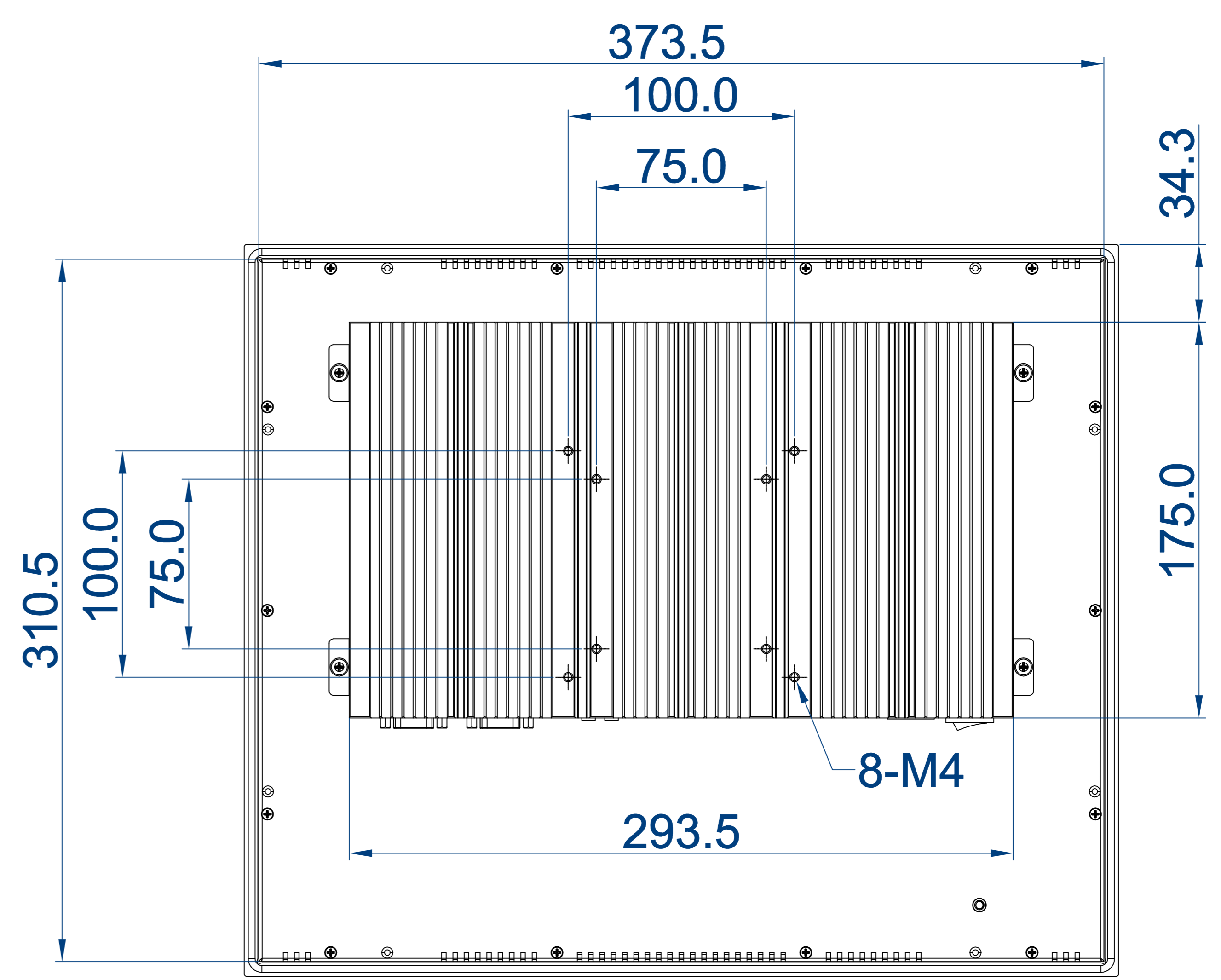
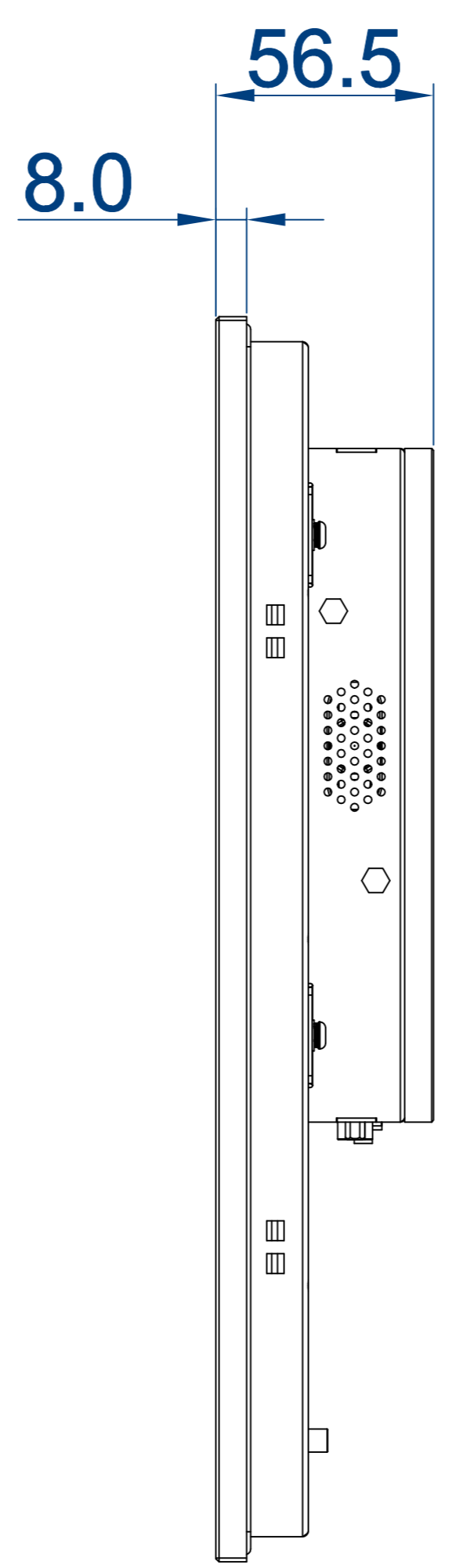
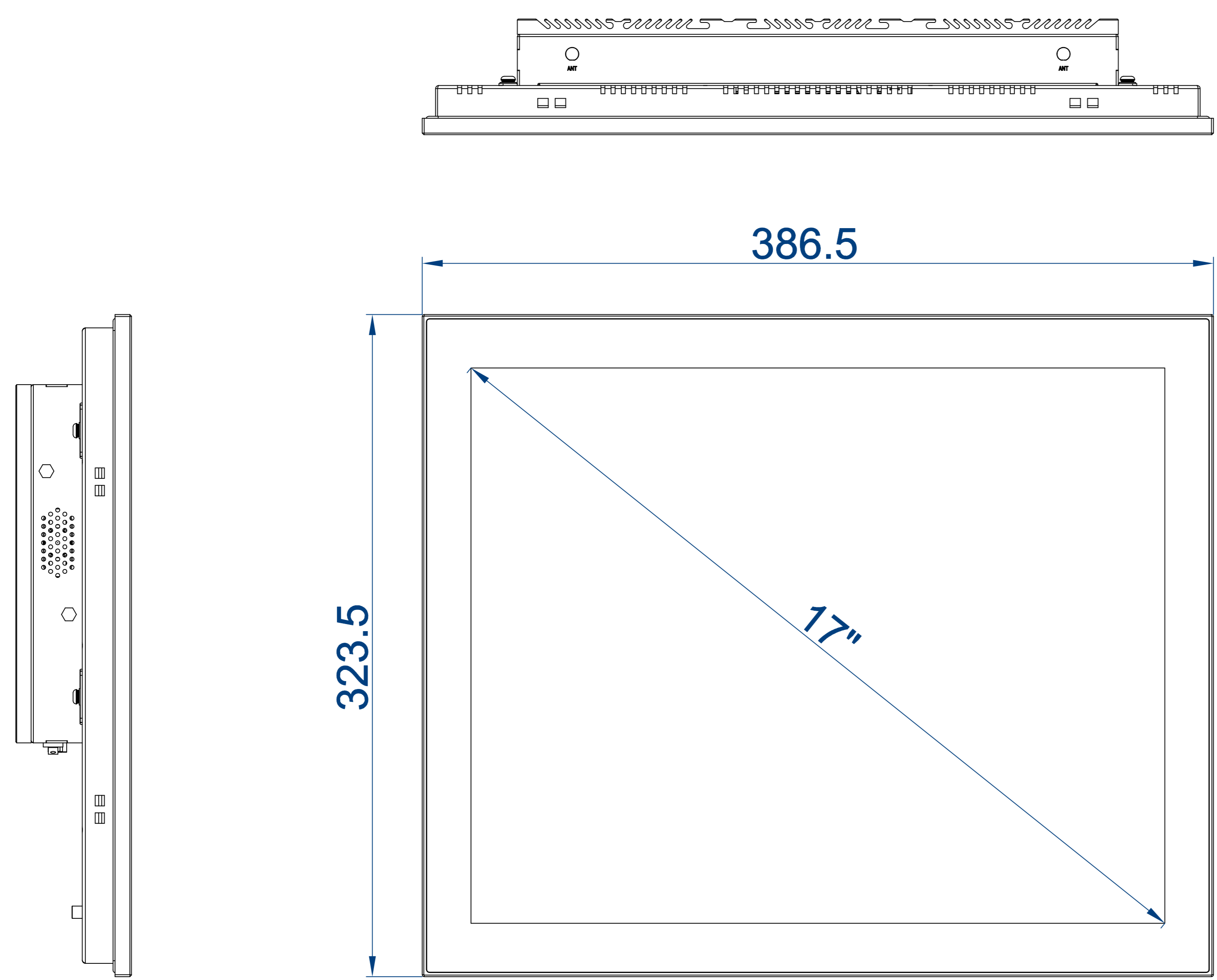


DIMENSIONAL DRAWING:TPC-DCM170



DIMENSIONS IN MILLIMETERS