



Features

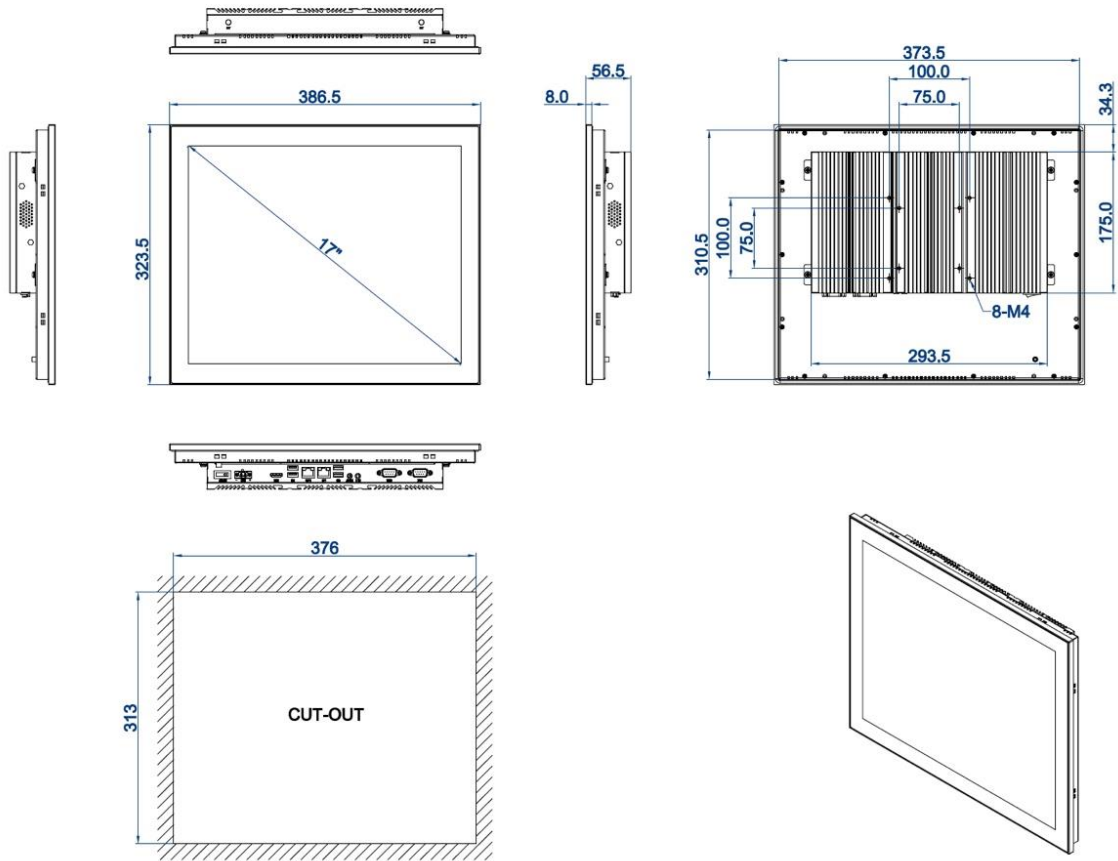
- 17.0" TFT LCD display, LED Backlit, SXGA 1280 *1024
- Intel Baytrail J1900 2.0Ghz Quad-core processor
- Multi-points (Max. up to 10 points) Projective capacitive touch, EETI controller
- Aluminum-magnesium alloy, anodized treatment, Modular designed
- DC 9~24V, with over-current, over-voltage and polarity protection
- 2*GLAN, 4*USB, 2*COM, 1*HDMI, Mic-in/Line-out
- Fan-less & Slim design, Panel mount, VESA, Front IP65 protection

Specification

Hardware & System	BIOS	SPI AMI EEI BIOS
	CPU	Intel Baytrail J1900, Quad-core 2.0Ghz, burst to 2.42Ghz
	Memory	SO-DIMM, DDR3, max. up to 8GB
	Storage	1* 2.5"SATA + 1*mSATA
	Graphic	Intel HD Graphics Gen7
	Network	2* Intel I211AT (Optional 3G/4G/Wi-Fi)
	Audio	On-board Realtek ACL 282 audio controller
	Expansion	1* Full size Mini-PCIe slot
	Watch dog	0~256 seconds programmable
	OS	Win7, Win8, Win embedded, Win10, Linux
IO interface	COM	2*RS232 (Support 1x RS485)
	Ethernet	2* RJ45, 10/100/1000 Mbps
	Audio	Mic-in/Line-out
	USB	1x USB3.0, 3x USB2.0
	Display	1x HDMI
	Power	1x 2 pins, pheonix terminal
LCD Display	Size/Type	17.0" TFT LCD
	Resolution	1280 * 1024 (SXGA)
	Brightness	250 nits
	Backlit & MTBF	LED backlit & 30 000hours
	Display area	337.92 * 270.34
	View angle	85/85/85/85
Touchscreen	Type	Projective capacitive touchscreen
	Touch points	Multi points touch, max. up to 10 points
	Durability	>100 000 000 times
	Surface hardness	Mohs 6H
	Special treatment	Anti-fingerprint (AF)
Structure	Structure and surface	Magnesium-Aluminum allo, sand blasting, anodized treatment
	Mount method	Panel mount, VESA 75/100
	Cooling system	Large area finned heat sink
	Overall dimension	386.5 * 323.5 * 56.5 (mm)
	Cut-out dimension	376 * 313 (mm)
	Net weight	4.7 KG
	IP protection	Front Panel IP65
Power & Environmental	Operatine temp.	0 ~ +50°C
	Storage temp.	-20 ~ +60°C
	Relative Humidity	10 ~ 95% @ 10C (Non-condensation)
	Vibration	50 ~ 500 Hz, 1.5G, 0.15mm peak to peak
	Shock	10G/Peak (11 ms)
	Power input	DC 9~24V
Power consumption	Around 35W	

DIMENSIONAL DRAWING:TPC-DCM170

Dimension



DIMENSIONS IN MILLIMETERS

TAICEN
 DATE:2019.06.11
 REV:A Unit:mm

Packing List

- 1x Standard Product
- 1x 60W PSU (Power Supply)
- 1x Power cable & Plug
- 8x Panel mount metal clips